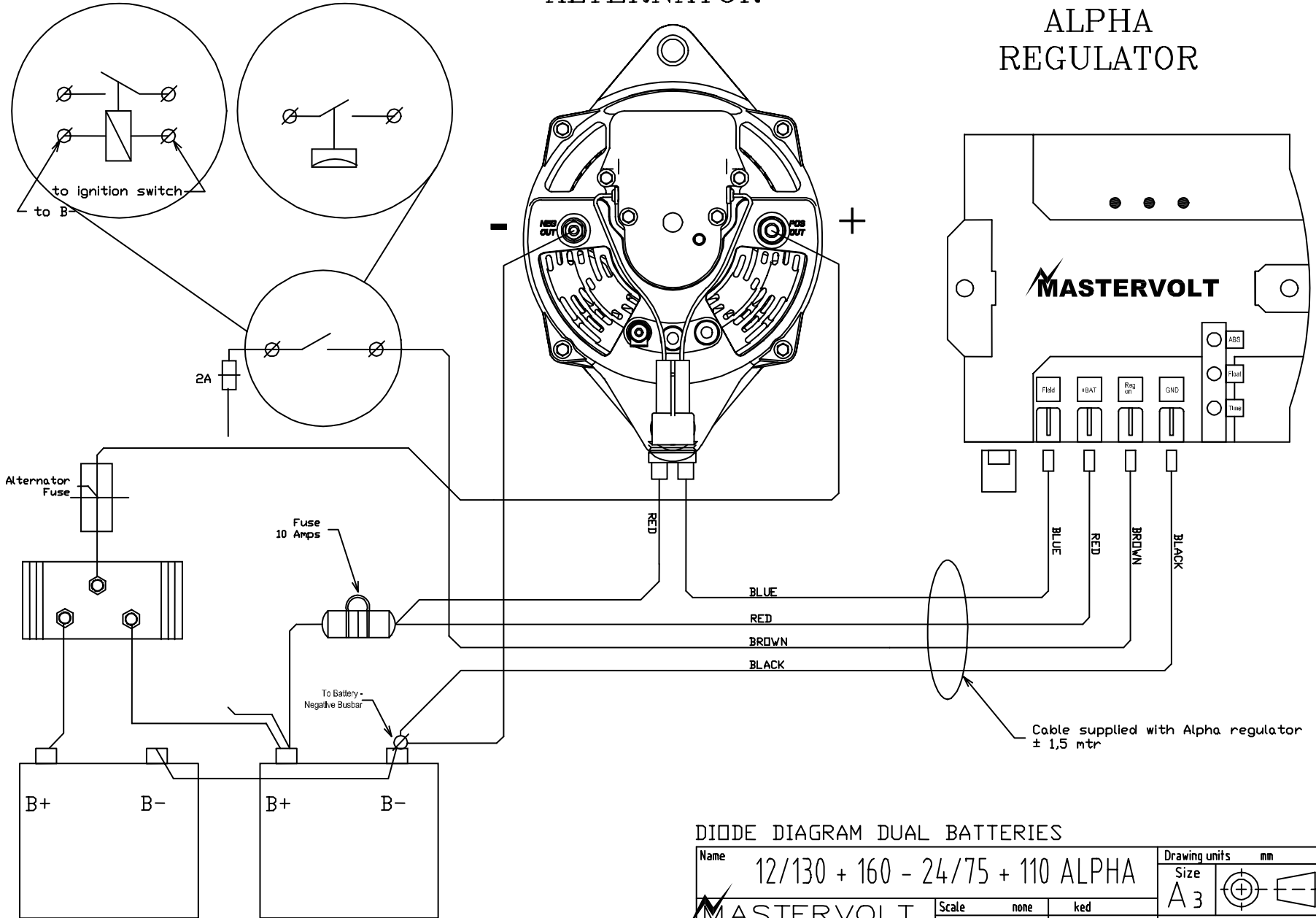


RELAY
igniton activated

OILPRESSURE SWITCH
closed when engine runs

ALTERNATOR

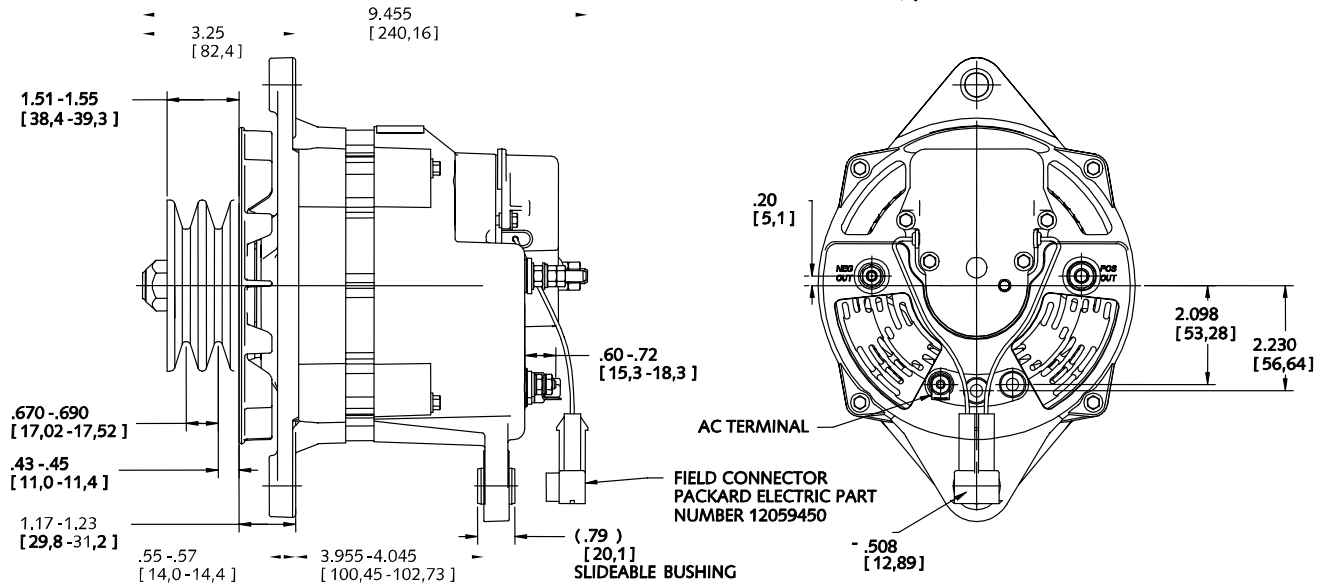
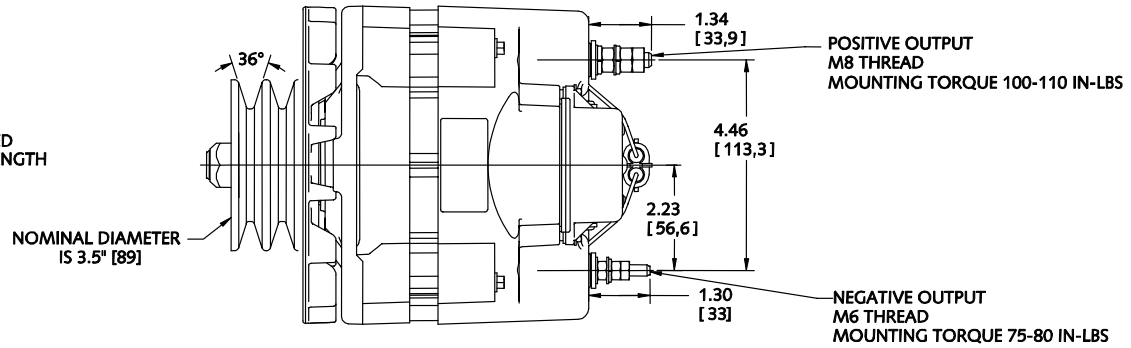
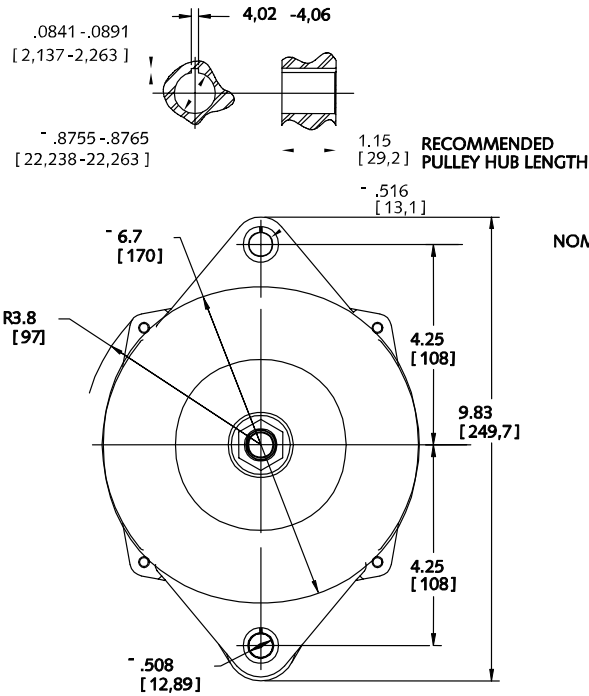
ALPHA REGULATOR



DIODE DIAGRAM DUAL BATTERIES

Name	12/130 + 160 - 24/75 + 110 ALPHA		Drawing units	mm
	Scale	none		
	Drawn by	10US		
			Size	A3
			G:/ACAD/M854-0.dwg	

PULLEY HUB DETAIL



WIRING DIAGRAM

